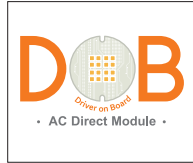
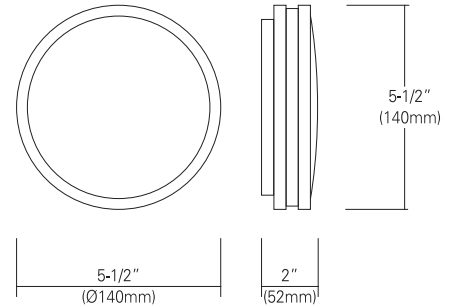


INDOOR AND OUTDOOR Light
WALL SCNCE ^{CSA US}
 120V, 220V-230V and 277V
 LED Wall Light

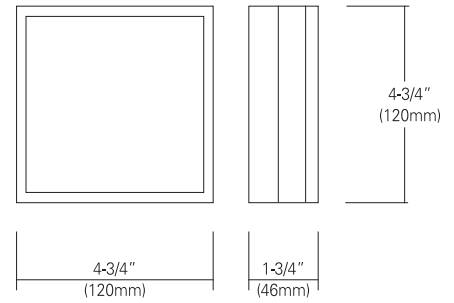


Catalog #		Type
Project		Date
Prepared by		

Wall LED



[ST317 Series]



[ST334 Series]

FEATURES and FUNCTIONS

- Stainless Steel faceplate over an acrylic diffuse provides a soft, luminous glow.
- Select from various faceplate designs.
- Custom faceplate design and finishes are available, consult with a factory.
- Suitable for indoor and outdoor circumstance.
- 80, 90 CRI, 2700K, 3000K, 4000K and 5000K
- Triac dimming is standard.

Listing

- CSA-us Certificated
- Energy star Approved & Listed
- State of california Title 24
- Wet location

Warranty

- 5years of lamp life.

SPECIFICATION

HOUSING	ST317 / ST334
Wattage (Typ)	10W
Lumen (Typ)	600(80CRI)
Efficacy (LPW)	60 lm/W
CRI (Typical)	80, 90
Color (+/-5%)	2700K, 3000K, 4000K, 5000K
Dimming	Triac(Consult with factory for approved dimmers)

ORDERING INFORMATION

Housing	Face Plate	CRI	CCT	Finish
ST317 10W	2S Circle	4S Stripe	8 80	BN Brushed Nickel
	3S Half moon	5S New moon	9 90	
ST334 10W	1S Stripe		27 2700K	
	2S Square		30 3000K	
			40 4000K	
			50 5000K	

*Consult with factory for custom finishes

Example : ST317-2S-930-BN

- - -